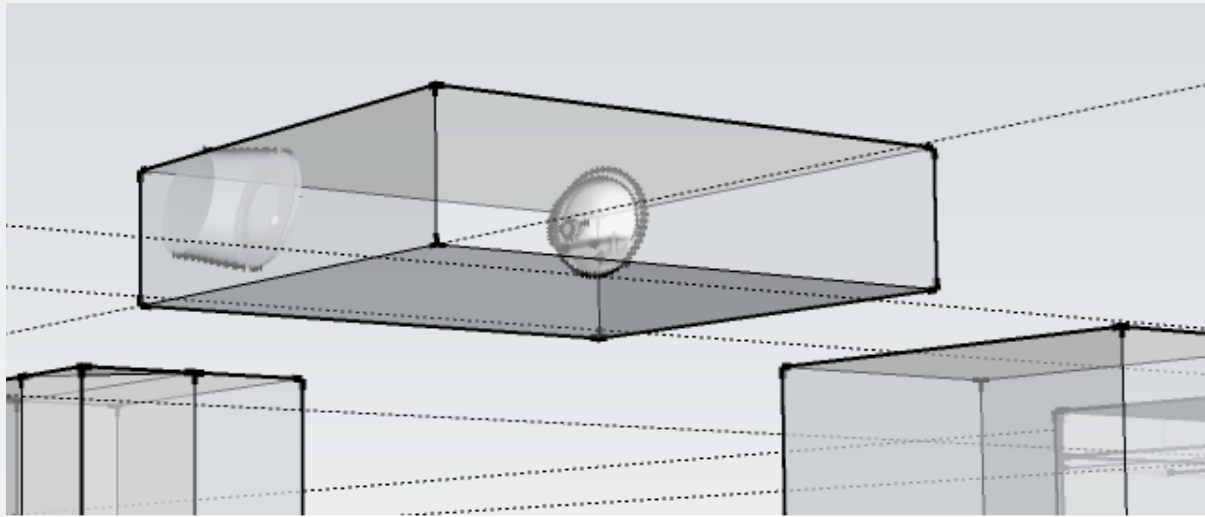


## 1/2 Antigravity

The end of the spectrum for flexibility and free space, without compromising deployed utility.



### Solution

This is a spinoff from my main idea, The real Thing, from trying to decide how I could come up with a layout to suit someone who's personal preferences are essentially unknown.

Not only can absolutely everything except the recycled water tank be stowed on the ceiling, but everything including the kitchen and bathroom has wheels and can be rearranged to anywhere, and in almost anywhere, as long as the orientation is aligned, it can still be raised to the ceiling, because the width of the storage boxes and bathroom etc. allows them to be raised and lowered all by the same mechanisms. Water connections use RV quick connectors, with 6 possible connection points in the ceiling, embedded in the ceiling above the boxes, and appropriate drain pumps.

Raising and lowering is done electrically, with 24 separate actuators in the ceiling. The sides

2/2

## Antigravity

The end of the spectrum for flexibility and free space, without compromising deployed utility.

Creative's profile

Thereal

Thereal