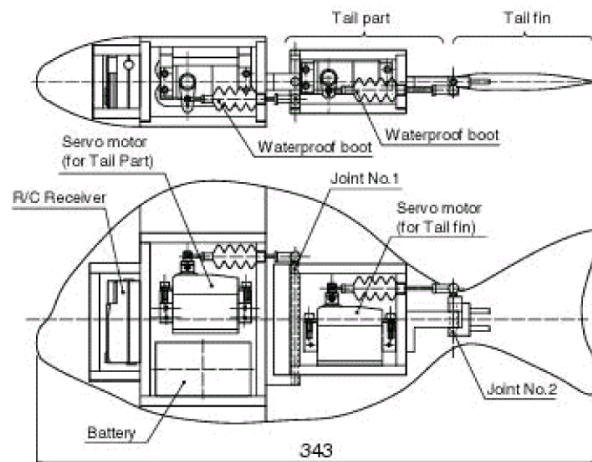


1/2 ROBOFISH

ROBOFISH saves the real fishes

Design the ROBOFISH and help us to find solutions for over-fishing problems

This is a contest for researchers all around the world. WWF wants to create a wonderful robot fish so we can have it in an aquarium with the slogan "Save the real fishes". We are looking for "Robofish" friends too, so we can fill his aquarium with lots of robot fishes. Represent your university and win big prizes. More details in www.robofish.com. Search us on Facebook!



Solution

Just like "WWF Tiger Campaign" which used a projection of a tiger in public spaces

"ROBOFISH" campaign, uses a big robotic fish in public spaces, raising awareness for more sustainability in the fishing industry.

ROBOFISH visits every city in big public spaces. It's a huge fish who attracts a lot of attention, just like the WWF Tiger

ROBOFISH CONTEST: This is a contest for researchers, in order to create the WWF ROBOFISH. Big Prizes. Sponsored by Universities, Science Institutes, WWF...

Robot fishes examples:
http://www.youtube.com/results?search_query=ROBOT%20FISH&search=Search&sa=X&oi=spell&resnum=0&spell=1

Fabulous Fish!

2/2

ROBOFISH

ROBOFISH saves the real fishes

Creative's profile



chronorocker **PRO**
publisher