

Print your Buzz

1/4

BUZZ FUN OUTDOOR CHAIR – WEGO -

BUZZ FUN OUTDOOR CHAIR – WEGO -

Target group

1: Families with kids and 2: Young people driven by design & innovation

Observation

BUZZ FUN OUTDOOR CHAIR – WEGO -

The new BUZZ will be used by many people and families so on traveling – outdoors – fun – beach – mountains – camping etc.

People don't like it to seat on the ground - So take the-wego with you -

Conclusion

Stick the three legs together put the seat on - ready -

Use it in the garden - anywhere outdoors - beach - mountain's biking - hiking - open air - festivals etc.

WHERE EVER YOU GO..... BUZZ - WEGO

lightweight and easy made from hardplastic or alu. Colourfull.....
... the chair could be personalized during getting the BUZZ

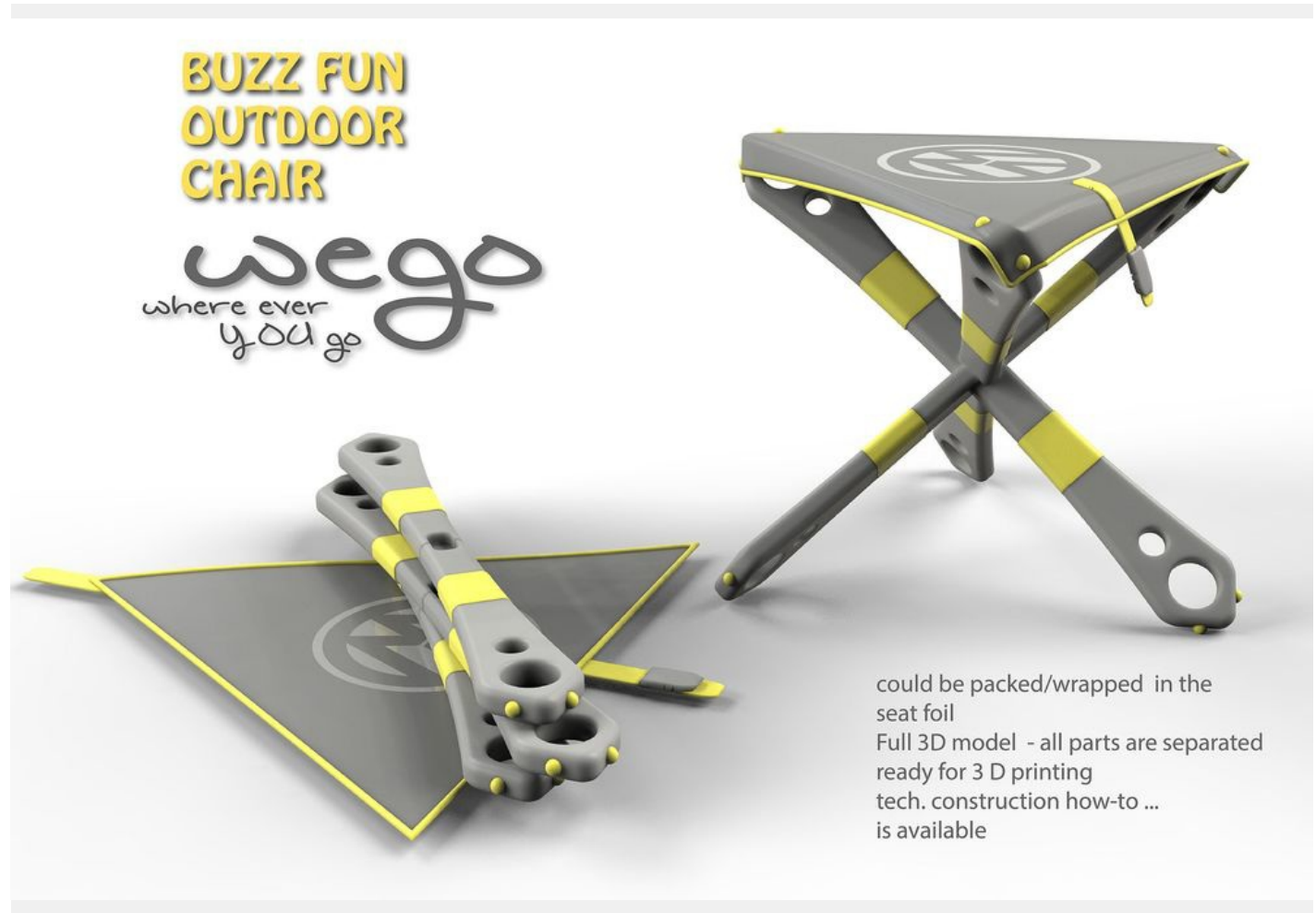


Solution

Please see images

2/4 **BUZZ FUN OUTDOOR CHAIR – WEGO -**

BUZZ FUN OUTDOOR CHAIR – WEGO -



could be packed/wrapped in the seat foil
Full 3D model - all parts are separated
ready for 3 D printing
tech. construction how-to ...
is available

Need addressed by this product

Rendered image of WEGO

Status: 20.09.2018

3/4 BUZZ FUN OUTDOOR CHAIR – WEGO -

BUZZ FUN OUTDOOR CHAIR – WEGO -

File formats export 3D CAD / Print

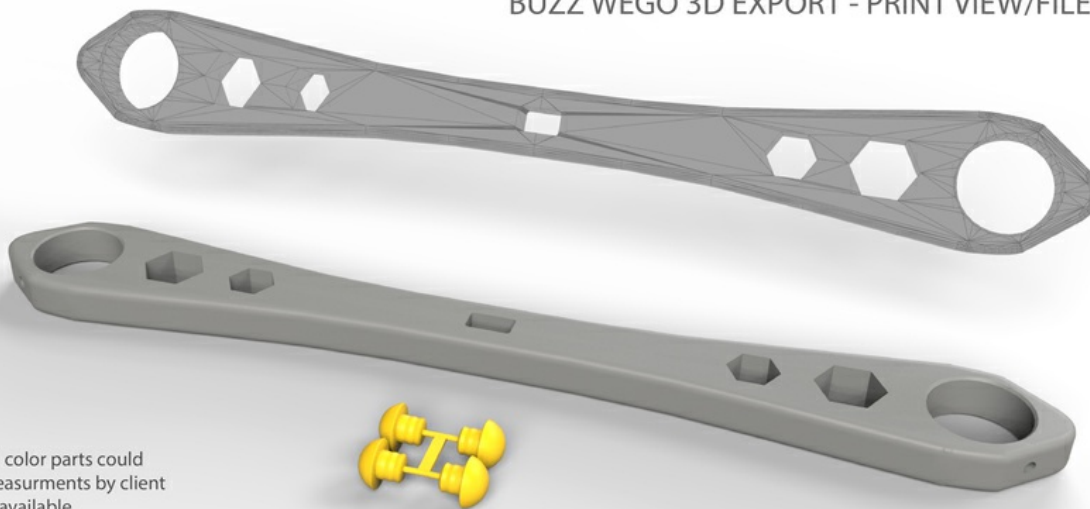
- *.3ds
- *.obj
- *.fbx
- *.stl

Print (export as of now)

- *.obj
- *.x3d
- *.vrm12
- *.ply
- *.stl

model not scaled - several color parts could be implemented - final measurements by client center part/connection is available

BUZZ WEGO 3D EXPORT - PRINT VIEW/FILE



Further elaboration of the product
Technicak description on files and parts

Status: 20.09.2018

Print your Buzz



4/4

BUZZ FUN OUTDOOR CHAIR – WEGO -

BUZZ FUN OUTDOOR CHAIR – WEGO -

Creative's profile



Mocki010 **PRO**

Creative's top 5 skills

Graphic Design, Illustration, Product Design

ID: 70724. Last updated: 20.09.2018

jovoto

Status: 20.09.2018