

1/5

bagholder

A foldable holder on the back of the seat to maintain bags or clothing

Target group

1: Families with kids and 2: Young people driven by design & innovation

Observation

When shopping for groceries or clothing almost all items are transferred in bags. If these bags are placed in the back of the car, they often fall during a ride. As a result the groceries are laying around the the whole car or the just bought clothing becoms dirty and wrinkled. Tech business people often hang their jacket over the seat to prevent it from becomming wrinkled, however the jacket is then often in the way for other car users.

Conclusion

In general the car has no real facilities to hang an object out of sight. For many items like bags and clothing this would be very handy. The user could addapt the shape and ammount of hooks to their own needs by 3d printing different options.

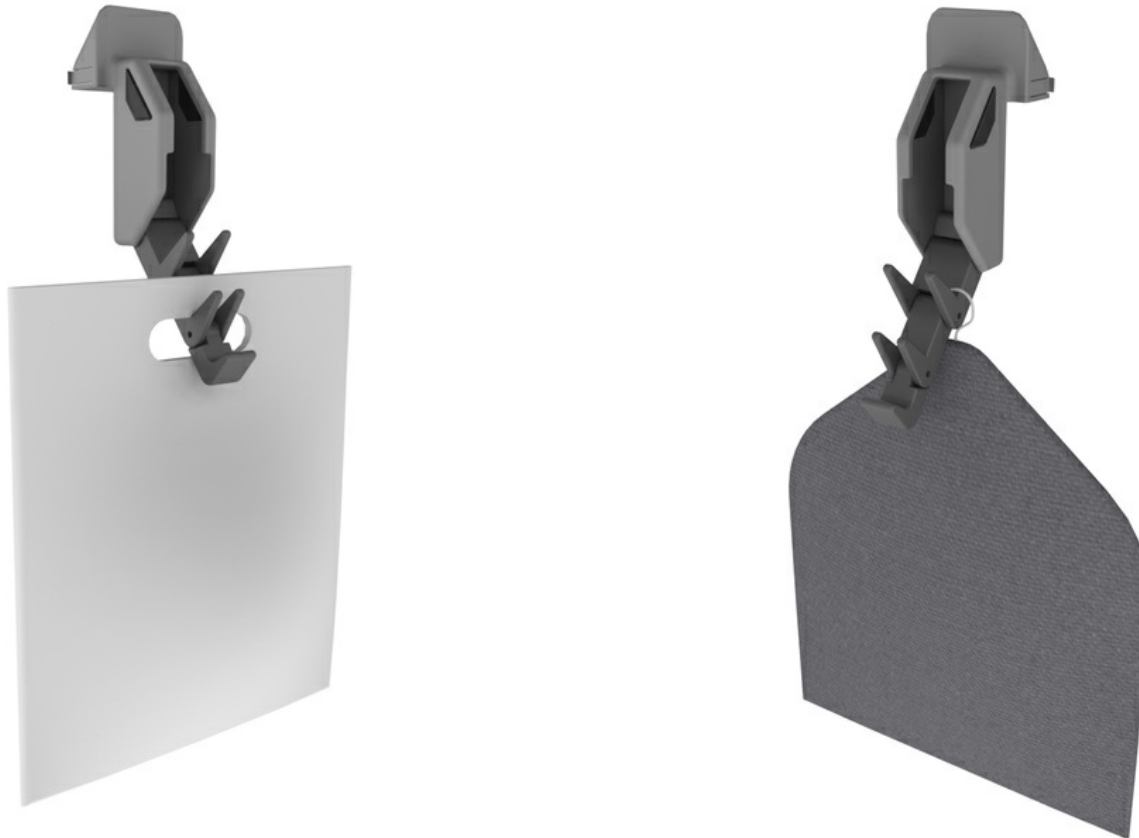


Solution

The bagholder is a holder that can be attached in the neckrest of the chairs. The mounting is easy via 2 snappers. The bagholder can hold shopping bags, clothing, groceries or backpacks on the back of the seats. Because the items hang, there is no risk of falling when the car drives through a corner. The bagholder can be opened and closed by two simple buttons or by pushing in the hooks.

2/5 **bagholder**

A foldable holder on the back of the seat to maintain bags or clothing



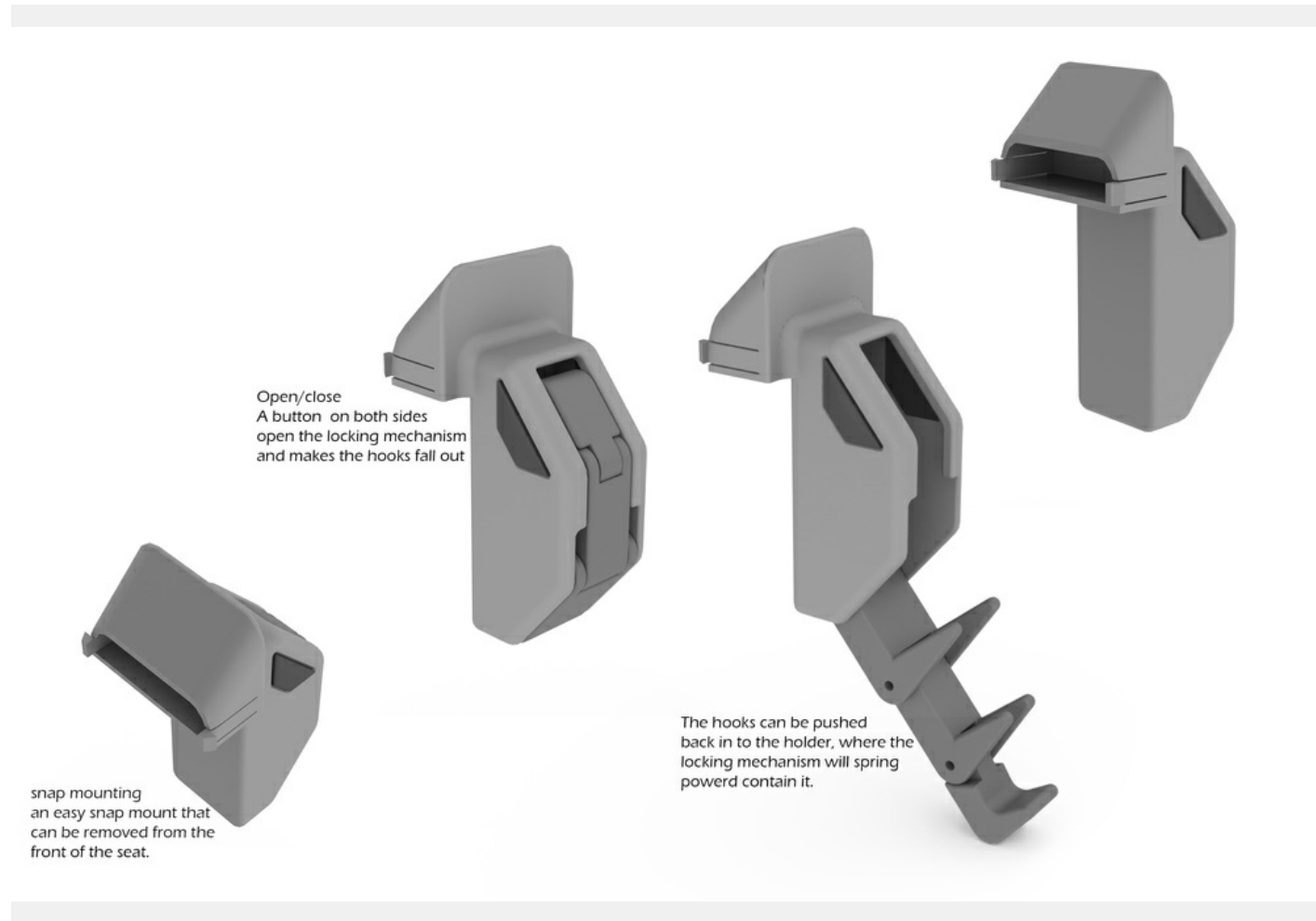
Need addressed by this product

The image shows two options for shopping bags for families, or a suit jacket holder for a professional environment.

Status: 23.09.2018

3/5 **bagholder**

A foldable holder on the back of the seat to maintain bags or clothing



Further elaboration of the product

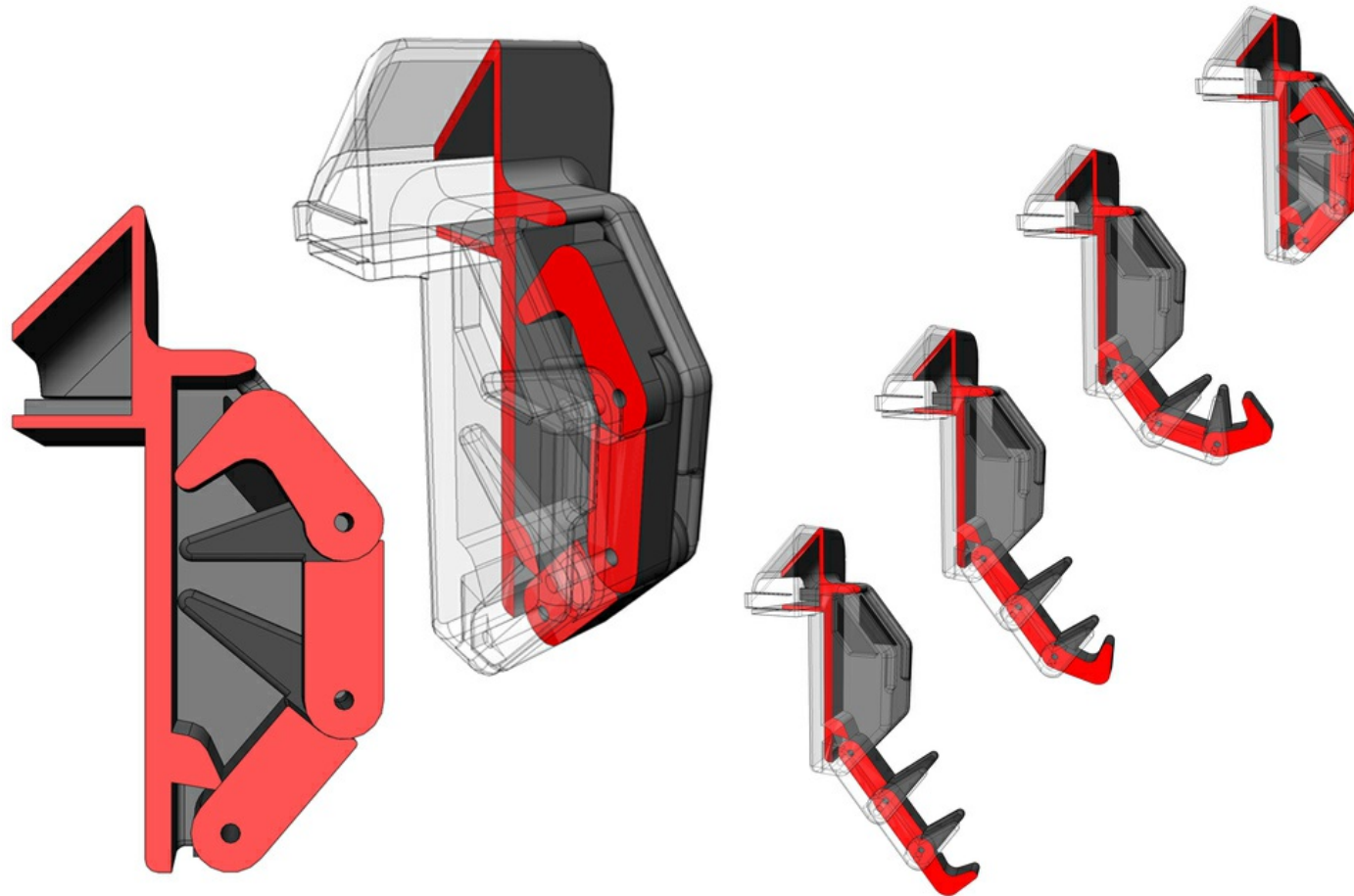
The image shows the main mounting snappers to the left
The oppening buttons in the middle and a more detailed view of the bagholder.

Status: 23.09.2018



4/5 **bagholder**

A foldable holder on the back of the seat to maintain bags or clothing



Further elaboration of the product

The images show some section views of the folding mechanism. the locking mechanism isn't modelled yet. The parts can be 3d printed of PA or ABS.

Status: 23.09.2018

Print your Buzz



5/5

bagholder

A foldable holder on the back of the seat to maintain bags or clothing

Creative's profile



michvdbent PRO
industrial designer

Creative's top 5 skills

Graphic Design, Illustration, Product Design, User Experience